

Design Application Details

Application Number:	329815-001
Cbr Number:	9303
Cbr Date:	06/05/2020 07:38:00
Applicant Name:	<ol style="list-style-type: none">1. Prof Ramesh Chandra Panda2. Dr Aruna Kumari Nakkella3. Dr.Meka James Stephen4. Mr. Nadeem Ahmad Khan5. Dr Mahesh Kumar Namballa6. Mr. Daniel Silas Kumar Mandrumaka7. Mr. Roohul Abad Khan8. Dr. Rachida El Morabet9. Dr Saloni Srivastava10. Dr Balaji V11. Dr P Karthigeyan12. Ms Nitika Tomar

Design Application Status

Application Status:	Case is in Amended Case of Controller
----------------------------	---------------------------------------

[Back \(/DesignApplicationStatus/\)](#)

Disclaimer: Application status is available for the application filed on or after 1st April 2009 with application no 222230. The information under " Design Application Status" is dynamically retrieved and is under testing, therefore the information retrieved by this system is not valid for any legal proceedings under the Design Act 2000. In case of any discrepancy you may contact the appropriate Patent Office or send your comments to following email IDs:

Design Office, Kolkata : controllerdesign.ipo@nic.in

Controller General of Patents, Designs and Trademarks

FORM-1

[THE DESIGN ACT, 2000]

APPLICATION FOR REGISTRATION OF DESIGN

(See Section 5 & 44)

You are requested to register the accompanying design in CLASS 24 -Medical and laboratory equipment and SUBCLASS NO 02-Medical Instruments, Instruments And Tools For Laboratory Use

In the name of

S.no	Name	Designation	College name	address	Pin code
1	Prof. Ramesh Chandra Panda	Dean Research & Development	Synergy Institute of Engineering & Technology, Dhenkanal, Orissa.	Synergy Institute of Engineering & Technology, Dhenkanal, Orissa.	759001
2	Dr Aruna Kumari Nakkella	Assistant Principal	College of Engineering Dr BR Ambedkar University Srikakulam	Etcherla, Andhra Pradesh	532410
3	Dr.Meka James Stephen	Professor	Dept. of Computer Science & Engineering, WISTM Engineering College Visakhapatnam.	Near Pendurthy, Visakhapatnam, Pinagadi, Andhra Pradesh	530047
4	Mr. Nadeem Ahmad Khan	Assistant Professor	Department of Civil Engineering, Mewat Engineering College, Distr-Nuh, Haryana	Tehsil, Village Palla, Nuh, Haryana	122107
5	Dr Mahesh Kumar Namballa	Associate Professor	Dept of Mech. Engg. Sri Venkateswara College Engineering Etcherla, Srikakulam	NH16, Chennai - Srikakulam Hwy, Etcherla, Andhra Pradesh	532410
6	Mr. Daniel Silas Kumar Mandrumaka	Assistant Professor	. Department of Mechanical Engineering, Lendi Institute of Engineering & Technology	Vizag-Viziangaram Road-NH-43, Denkada Mandal, Jonnada, Andhra Pradesh	535005
7	Mr. Roohul Abad Khan	Assistant Professor	Department of Civil Engineering, King Khalid University	Office no. 91, , Abha Saudi Arabia, P.O. Box 960	61421
8	Dr. Rachida El Morabet	Associate Professor	Department of Geography, LADES lab, FLSHM, Hassan II University of Casablanca	Casablanca, Morocco	20000
9	Dr Saloni Srivastava	Assistant Professor	Raja Balwant Singh Engineering Technical Campus Bichpuri Agra	Bichpuri, Uttar Pradesh	283105
10	Dr Balaji V	Professor	JNN Institute Of Engineering	Ushaa Garden Kannigaipair Chennai- Periyapalayam Hwy Tiruvallur, Tn	601102
11	Dr P Karthigeyan	Manager	MSME Technology Centre, Ministry of MSME, Govt of India	B-36, Chandaka Industrial Area, Bhubaneswar	751024
12	Ms Nitika Tomar	Assistant Professor	Raja Balwant Singh Engineering Technical Campus Bichpuri Agra	Bichpuri, Uttar Pradesh	283105

who claims to be the proprietor thereof.

Four exactly similar representations of the design accompanying this request.

The design is to be applied to“**COST EFFECTIVE SLOTTED PIN MECHANICAL VENTILATOR**”

Address for service in India is Prof Ramesh chandra Panda, Mechanical Department, Synergy Institute of Engineering and technology, NH 55, Dhenkanal, Odisha 759001, Phone No: 9861113404 Email: ramesh.panda.mech@gmail.com

Declaration:

The applicant claims to be the proprietor of the design and that to the best of his knowledge and belief the design is new or original.

Dated this 2nd day of June 2020

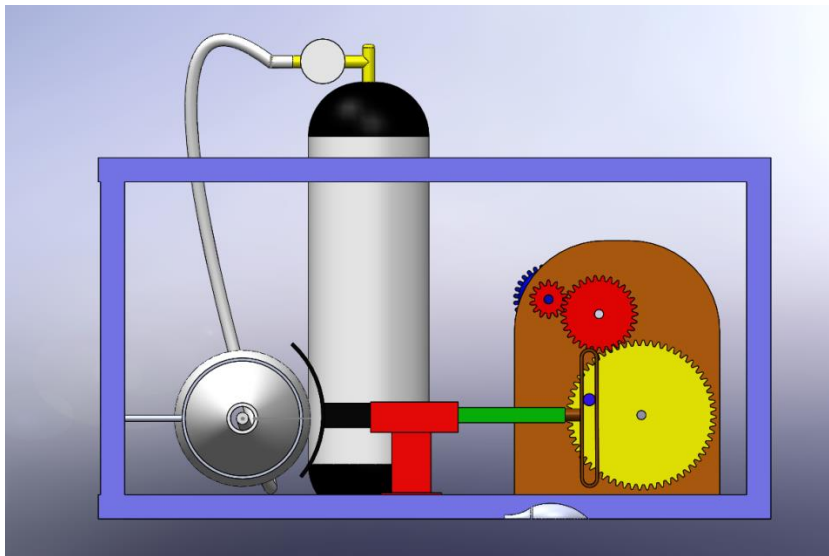
Signature of the Applicant

(Names of the Signatory)

To
The controller of Patents & Designs,
The Patent office, Kolkata

Name of the Applicant (s):
Prof. Ramesh Chandra Panda
Dr Aruna Kumari Nakkella
Dr.Meka James Stephen
Mr. Nadeem Ahmad Khan
Dr Mahesh Kumar Namballa
Mr.Daniel Silas Kumar Mandrumaka
Mr. Roohul Abad Khan
Dr. Rachida El Morabet
Dr Saloni Srivastava
Dr Balaji V
Dr P Karthigeyan
Ms Nitika Tomar

Number of Sheets:
07
Sheet Number: 01



FRONT VIEW

The novelty resides in the shape and configuration of the “**COST EFFECTIVE SLOTTED PIN MECHANICAL VENTILATOR**”as illustrated.

No claim is made by virtue of this registration in respect of any mechanical or other action of any mechanism whatever or in respect of any mode or principle of construction of the article.

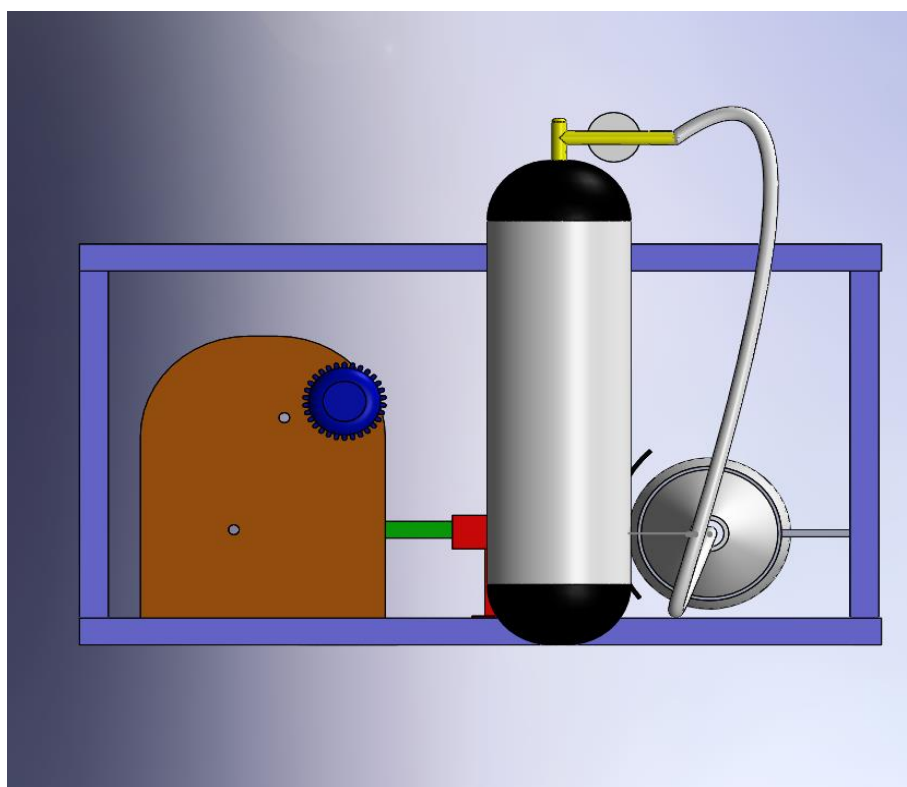
No claim is made by virtue of this registration in respect of any right to the colour or colour combination as appearing in the representation.

Date: 2nd June 2020

Signature of the Applicant(s)

Name of the Applicant(s):
Prof. Ramesh Chandra Panda
Dr Aruna Kumari Nakkella
Dr.Meka James Stephen
Mr. Nadeem Ahmad Khan
Dr Mahesh Kumar Namballa
Mr.Daniel Silas Kumar Mandrumaka
Mr. Roohul Abad Khan
Dr. Rachida El Morabet
Dr Saloni Srivastava
Dr Balaji V
Dr P Karthigeyan
Ms Nitika Tomar

Number of Sheets: 07
Sheet Number: 02



BACK VIEW

The novelty resides in the shape and configuration of the **“COST EFFECTIVE SLOTTED PIN MECHANICAL VENTILATOR”**as illustrated.

No claim is made by virtue of this registration in respect of any mechanical or other action of any mechanism whatever or in respect of any mode or principle of construction of the article.

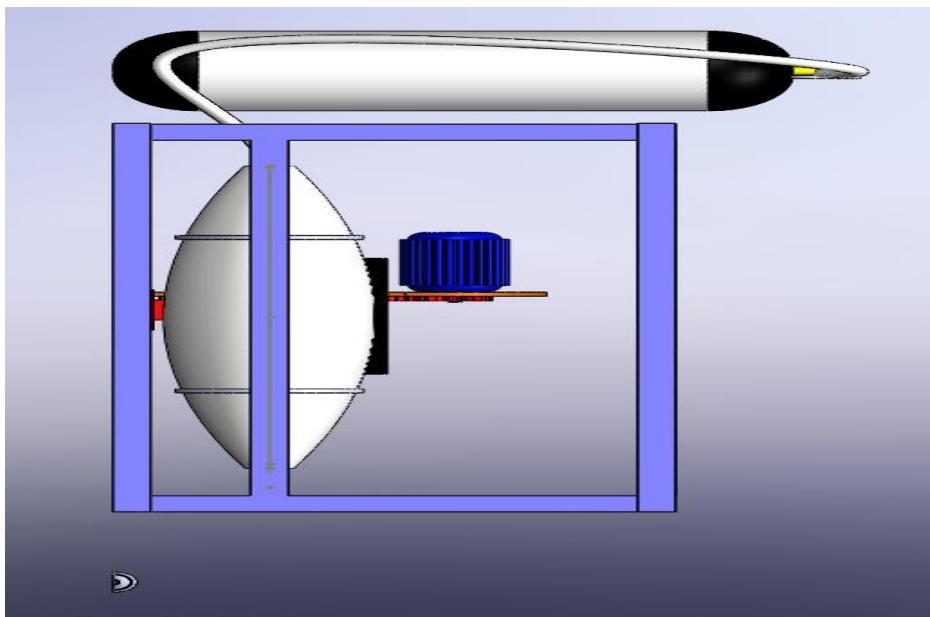
No claim is made by virtue of this registration in respect of any right to the colour or colour combination as appearing in the representation.

Date:2nd June 2020

Signature of the Applicant(s)

Name of the Applicant(s):
Prof. Ramesh Chandra Panda
Dr Aruna Kumari Nakkella
Dr.Meka James Stephen
Mr. Nadeem Ahmad Khan
Dr Mahesh Kumar Namballa
Mr.Daniel Silas Kumar Mandrumaka
Mr. Roohul Abad Khan
Dr. Rachida El Morabet
Dr Saloni Srivastava
Dr Balaji V
Dr P Karthigeyan
Ms Nitika Tomar

Number
of
Sheets:
07
Sheet
Number:
03



TOP VIEW

The novelty resides in the shape and configuration of the **“COST EFFECTIVE SLOTTED PIN MECHANICAL VENTILATOR”** as illustrated.

No claim is made by virtue of this registration in respect of any mechanical or other action of any mechanism whatever or in respect of any mode or principle of construction of the article.

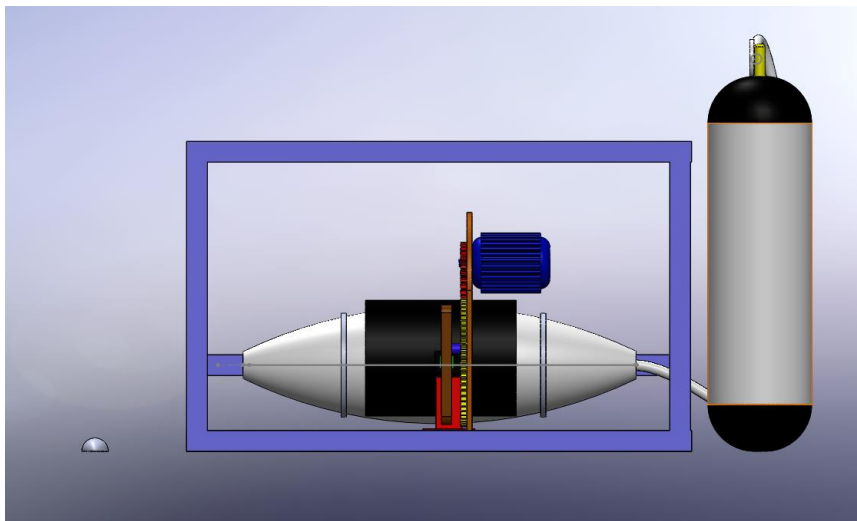
No claim is made by virtue of this registration in respect of any right to the colour or colour combination as appearing in the representation.

Date:2nd June 2020

Signature of the Applicant(s)

Name of the Applicant(s):
Prof. Ramesh Chandra Panda
Dr Aruna Kumari Nakkella
Dr.Meka James Stephen
Mr. Nadeem Ahmad Khan
Dr Mahesh Kumar Namballa
Mr.Daniel Silas Kumar Mandrumaka
Mr. Roohul Abad Khan
Dr. Rachida El Morabet
Dr Saloni Srivastava
Dr Balaji V
Dr P Karthigeyan
Ms Nitika Tomar

Number of
Sheets: 07
Sheet Number:
04



BOTTOM VIEW

The novelty resides in the shape and configuration of the **“COST EFFECTIVE SLOTTED PIN MECHANICAL VENTILATOR”** as illustrated.

No claim is made by virtue of this registration in respect of any mechanical or other action of any mechanism whatever or in respect of any mode or principle of construction of the article.

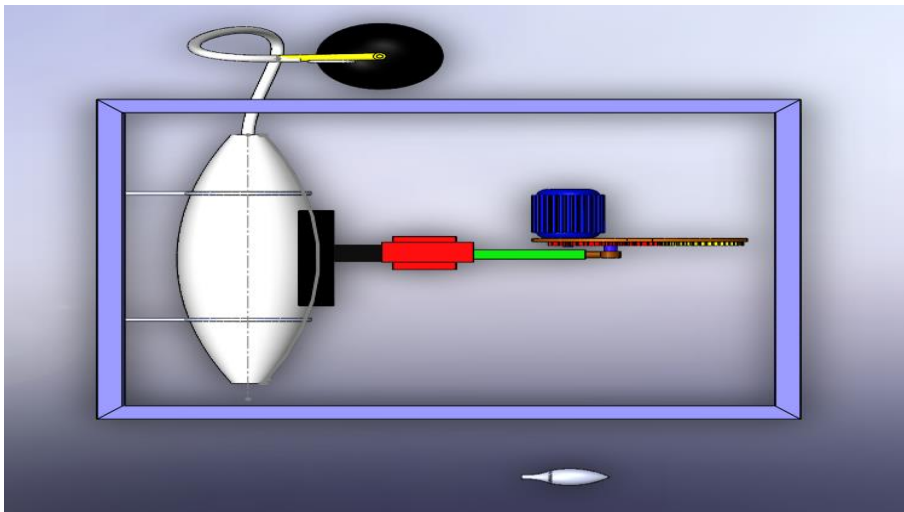
No claim is made by virtue of this registration in respect of any right to the colour or colour combination as appearing in the representation.

Date:2nd June 2020

Signature of the Applicant(s)

Name of the Applicant(s):
Prof. Ramesh Chandra Panda
Dr Aruna Kumari Nakkella
Dr.Meka James Stephen
Mr. Nadeem Ahmad Khan
Dr Mahesh Kumar Namballa
Mr.Daniel Silas Kumar Mandrumaka
Mr. Roohul Abad Khan
Dr. Rachida El Morabet
Dr Saloni Srivastava
Dr Balaji V
Dr P Karthigeyan
Ms Nitika Tomar

Number of
Sheets: 07
Sheet
Number: 05



LEFT SIDE VIEW

The novelty resides in the shape and configuration of the **“COST EFFECTIVE SLOTTED PIN MECHANICAL VENTILATOR”** as illustrated.

No claim is made by virtue of this registration in respect of any mechanical or other action of any mechanism whatever or in respect of any mode or principle of construction of the article.

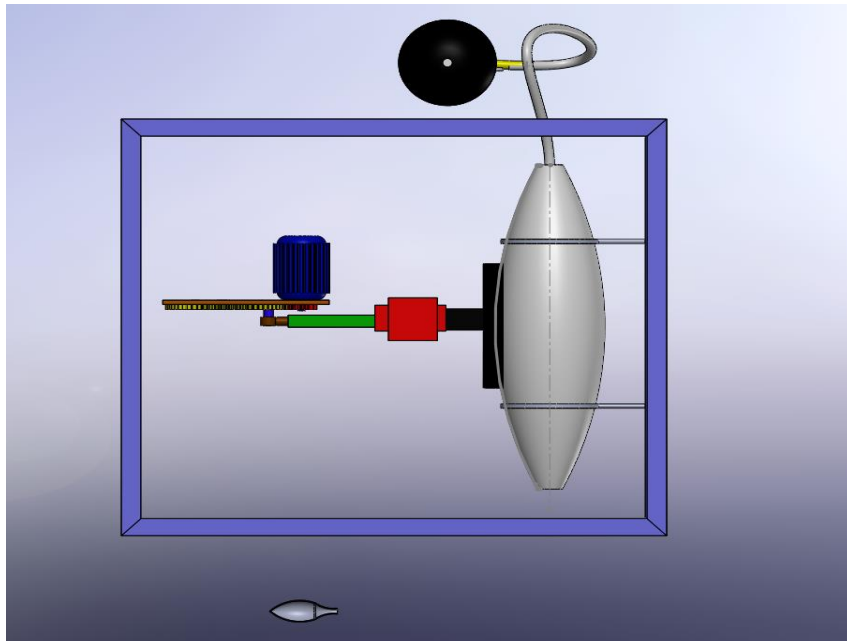
No claim is made by virtue of this registration in respect of any right to the colour or colour combination as appearing in the representation.

Date: 2nd June 2020

Signature of the Applicant(s)

Name of the Applicant(s):
Prof. Ramesh Chandra Panda
Dr Aruna Kumari Nakkella
Dr.Meka James Stephen
Mr. Nadeem Ahmad Khan
Dr Mahesh Kumar Namballa
Mr.Daniel Silas Kumar Mandrumaka
Mr. Roohul Abad Khan
Dr. Rachida El Morabet
Dr Saloni Srivastava
Dr Balaji V
Dr P Karthigeyan
Ms Nitika Tomar

Number of Sheets: 07
Sheet Number: 06



RIGHT SIDE VIEW

The novelty resides in the shape and configuration of the **“COST EFFECTIVE SLOTTED PIN MECHANICAL VENTILATOR”** as illustrated.

No claim is made by virtue of this registration in respect of any mechanical or other action of any mechanism whatever or in respect of any mode or principle of construction of the article.

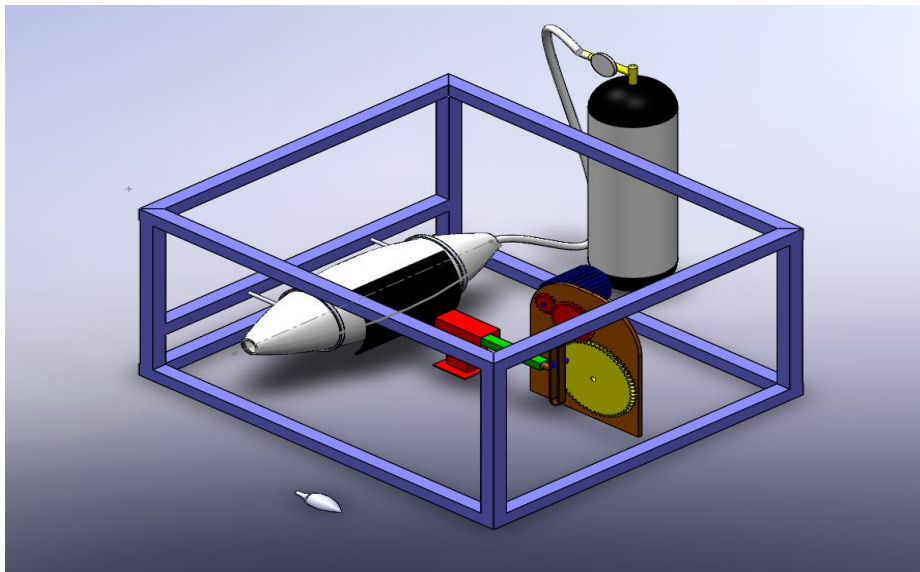
No claim is made by virtue of this registration in respect of any right to the colour or colour combination as appearing in the representation.

Date:2ndJune 2020

Signature of the Applicant(s)

Name of the Applicant(s):
Prof. Ramesh Chandra Panda
Dr ArunaKumariNakkella
Dr.Meka James Stephen
Mr. Nadeem Ahmad Khan
Dr Mahesh Kumar Namballa
Mr.Daniel Silas Kumar Mandrumaka
Mr. Roohul Abad Khan
Dr. Rachida El Morabet
Dr Saloni Srivastava
Dr Balaji V
Dr P Karthigeyan
Ms Nitika Tomar

Number of Sheets: 07
Sheet Number: 07



TOP PERSPECTIVE VIEW

The novelty resides in the shape and configuration of the **“COST EFFECTIVE SLOTTED PIN MECHANICAL VENTILATOR”** as illustrated.

No claim is made by virtue of this registration in respect of any mechanical or other action of any mechanism whatever or in respect of any mode or principle of construction of the article.

No claim is made by virtue of this registration in respect of any right to the colour or colour combination as appearing in the representation.

Date: 2nd June 2020

Signature of the Applicant(s)